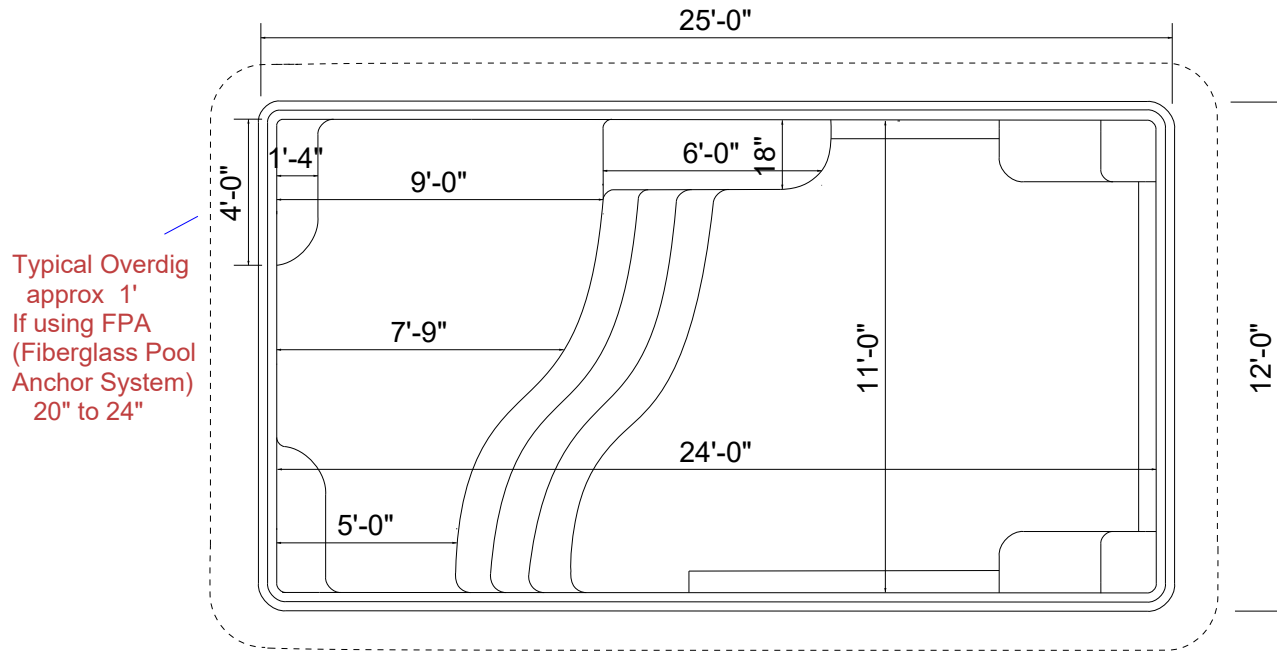


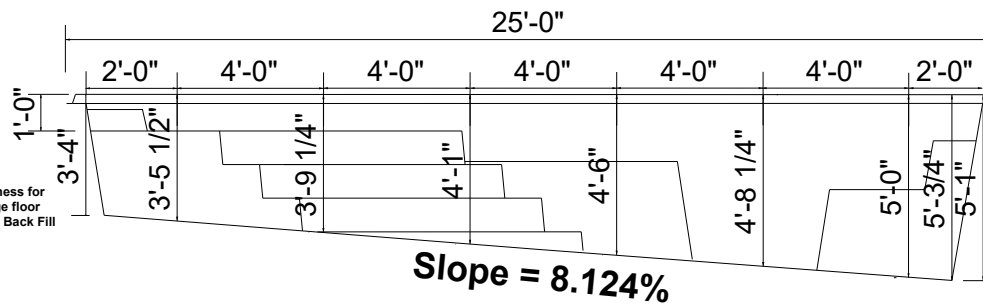
THURSDAY POOLS

Aspen 1225

Depth: 3'-4" to 5'-1"



Typical Overdig
approx 1'
If using FPA
(Fiberglass Pool
Anchor System)
20" to 24"



Note: add 1" thickness for
tanning ledge floor
without BFE Back Fill
Eliminator

Slope = 8.124%

(Add approx. 1/4" for fiberglass floor thickness and 1" for sun deck)

**PLEASE SEE GENERAL CONSTRUCTION AND
RECOMMENDED INSTALLATION NOTES**

General Tolerance +/- 1/2"

SPECIFICATIONS:
volume: 7,425 gal (est)
Weight: 1,600 lbs (est)
Area: 300 sq. ft. (est)
Perimeter: 75' (est)
SCALE:

CONTROL	
Meets Input Criteria	Confirmed Dig Specs
WHK 2/25/17	WHK 12/5/17
	WET 4/2/18

NON DIVING POOL

THURSDAY POOLS LLC
your weekend starts early with us . . . ☺
840 Commerce Parkway
Fortville, Indiana 46040
Note: for technical help please call Thursday Pools LLC at
Toll Free (877) 929-POOL (7665)
Local (317) 973-0200

To be filled out by Pool Dealer

POOL NAME:	Aspen 1225
OWNER:	
ADDRESS:	
POOL DEALER:	

To be filled out by Thursday Pools, LLC

Date:	2/9/21
Job No.:	
File No.:	

Sheet No.
D8
Revision No. 01