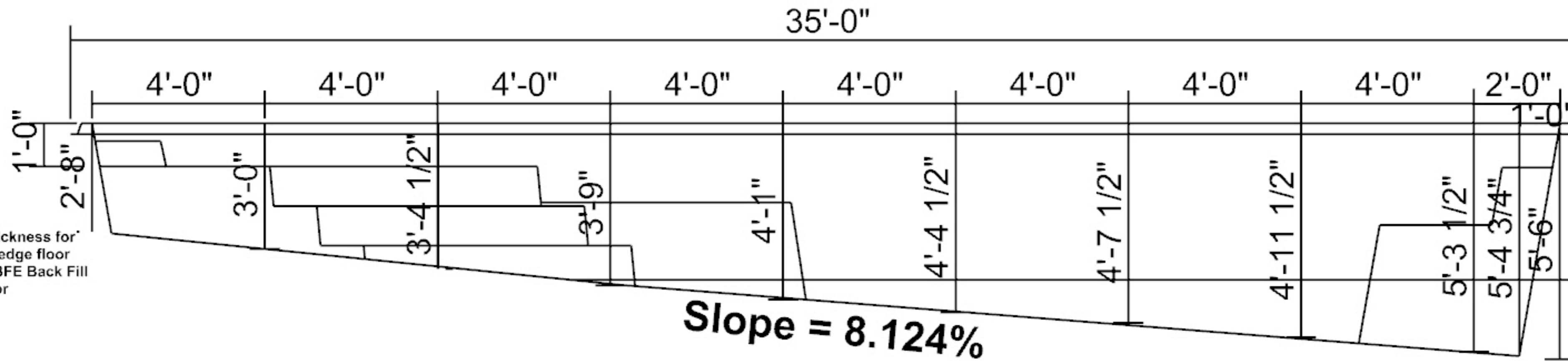
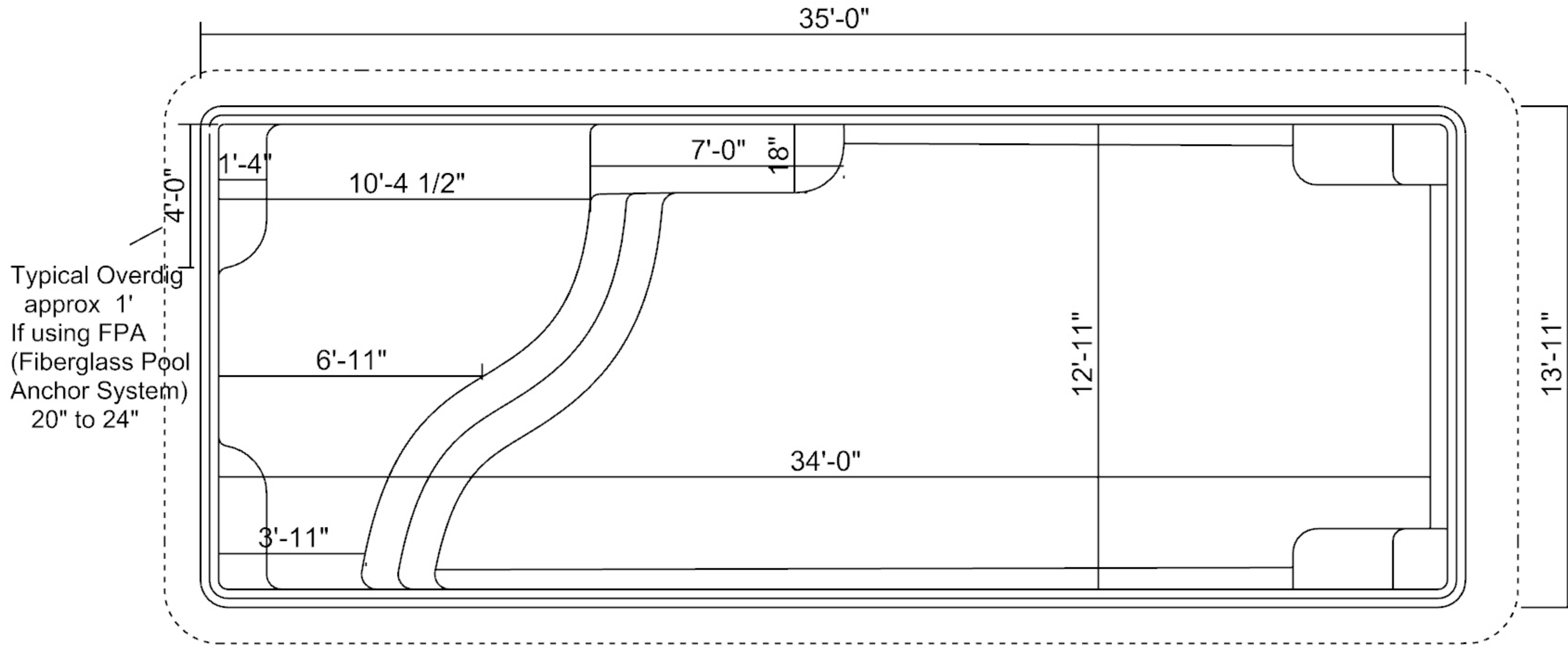


# THURSDAY POOLS®

## Aspen 1435

Depth: 3'-4" to 5'-6"



Note: add 1" thickness for tanning ledge floor without BFE Back Fill Eliminator

(Add approx 1/4" for fiberglass floor thickness and 1" for sun deck)

**PLEASE SEE GENERAL CONSTRUCTION AND RECOMMENDED INSTALLATION NOTES**

**General Tolerance +/- 1/2"**

**SPECIFICATIONS:**  
 volume: 8,423 gal (est)  
 Weight: 2,100 lbs (est)  
 Area: 435 sq. ft. (est)  
 Perimeter: 94' (est)  
**SCALE:**

CONTROL		Confirmed Dig Sites	Confirmed Dig Sites
		Confirmed Act. Dig.	WET 4/2/18
Meets Input Criteria	WKK 2/25/17	WKK 12/5/17	

NON DIVING POOL

**THURSDAY POOLS LLC**

your weekend starts early with us . . .  
 840 Commerce Parkway  
 Fortville, Indiana 46040  
 Note: for technical help please call Thursday Pools LLC at  
 Toll Free (877) 928-POOL (7665)  
 Local (317) 973-0200

POOL NAME:	Aspen 1435
OWNER:	
ADDRESS:	
POOL DEALER:	

To be filled out by Thursday Pools LLC	Date:	4/2/18
Job No.		
File No.		

Sheet No.  
**D8**  
 Revision No. 01