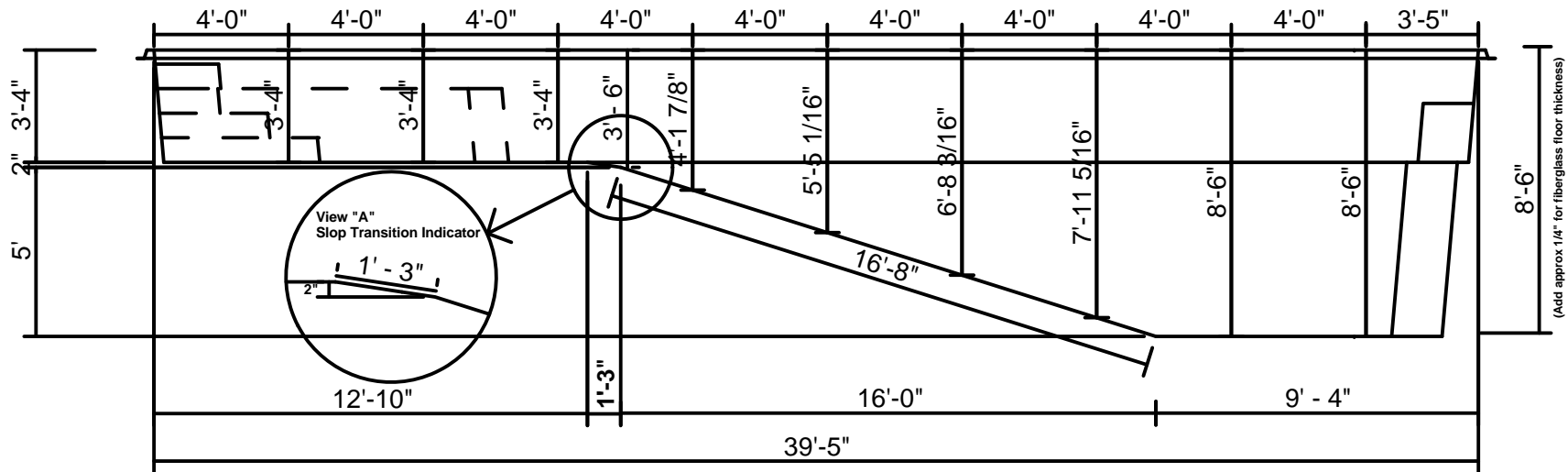
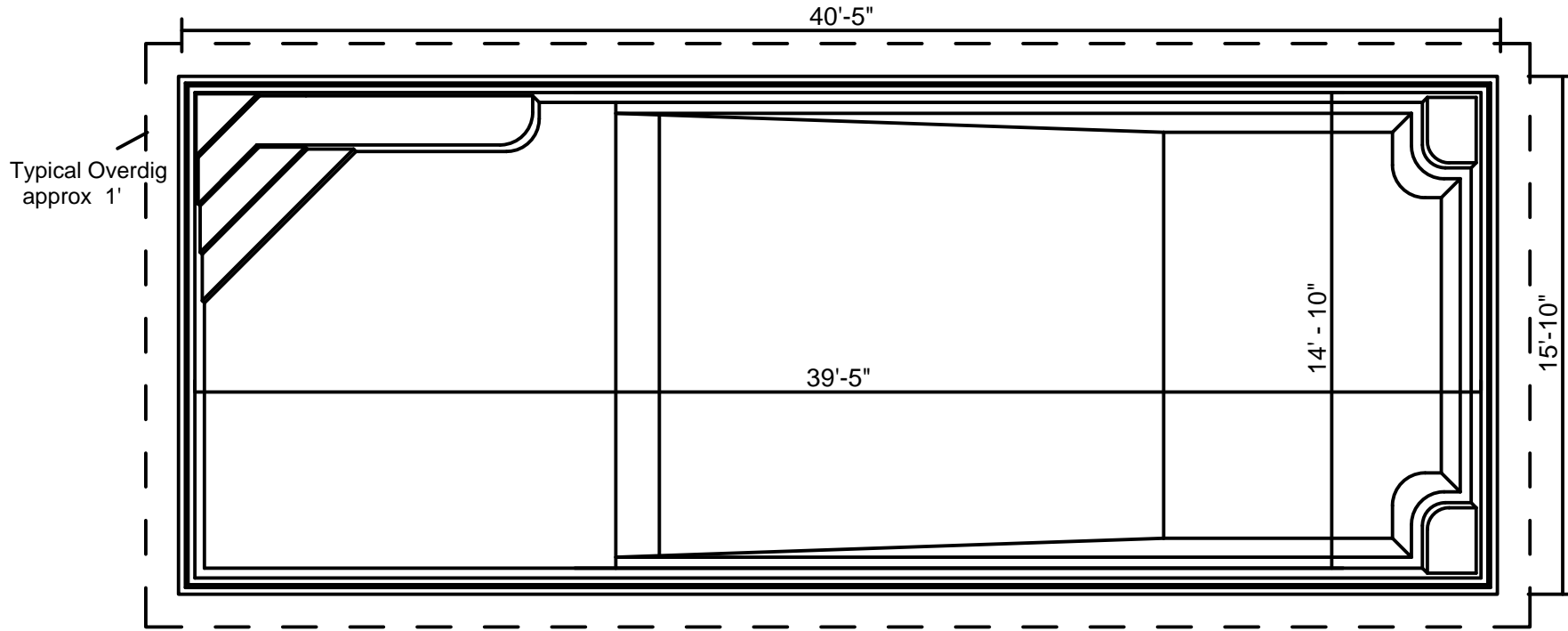


THURSDAY POOLS.

Monolith 1640 Depth: 3'-4" to 8' - 6"



PLEASE SEE GENERAL CONSTRUCTION AND RECOMMENDED INSTALLATION NOTES

SPECIFICATIONS:
 volume: 20,000 gallons (est)
 Weight 3,850 lbs (est)
 Area: 580 sq. ft. (est)
 ANS/NSPI-5-2003 TYPE I
 SCALE:

CONTROL

Designed By:	Created By:
D.C.	TP
	BK

THURSDAY POOLS, LLC
 your weekend starts early with us
 840 Commerce Parkway
 Fortville, Indiana 46040
 Note: for technical help please call Thursday Pools LLC at
 Toll Free (877) 929-POOL (7665)
 Local (317) 973-0200

To be filled out by Pool Dealer

POOL NAME:	Monolith
OWNER:	
ADDRESS:	
POOL DEALER:	

To be filled out by Pool Dealer

Date:	9/25/13
Job No.:	
File No.:	

Sheet No.
D8
Revision No. 01

TYPE I DIVING POOL